

TRACTION KIT INFORMATION

⚠ CAUTION

Always wear safety glasses and ear protection when performing any maintenance function that could cause injury to eyes or ears.

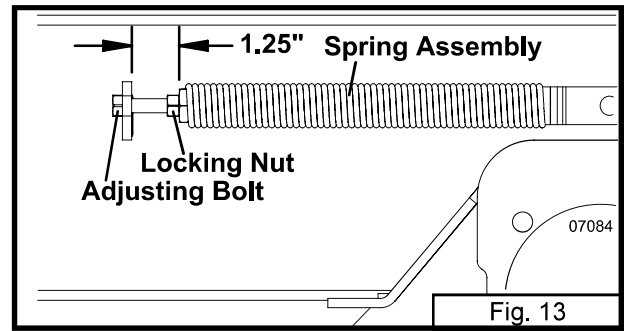
Read all safety information on pages 6 through 11.

ADJUSTING TRACTION SPRING TENSION

⚠ WARNING

Do not over extend springs. Over extension will cause loss of weight to rear of tractor. This could cause operator to lose control of the machine, particularly while going down hill.

Set deck at a mid-height cutting position. Remove fender. Tighten adjusting bolt (refer to Fig. 13) until a distance of 1.25 inches is between spring bracket and end of spring assembly. This setting applies to all deck models. Tighten locking nut against end of spring and install wheel and fender. Repeat on other side.



REMOVING MOWER DECK FROM TRACTION KIT EQUIPPED TRACTOR

Refer to mower deck manual and reverse attaching procedure.

REAR WEIGHT REQUIREMENTS

⚠ WARNING

Additional weight may be required on the rear of the Grasshopper tractor when certain attachments are used. See Weight Chart below.

Weight kits are available from your Grasshopper dealer.

50 lb. (22.68 kg.) Weight Part No. 503218
Weight Mount Kit Part No. 503220

COUNTERWEIGHT REQUIREMENTS - 700 SERIES LIQUID COOLED				
COUNTERWEIGHT NOT REQUIRED ON UNITS EQUIPPED WITH COLLECTION SYSTEM				
Mower Deck Model	Single Tail Wheel w/o Grasscollector		2 or 4 Tail Wheels w/o Grasscollector	
		with Enclosure		with Enclosure
9544 / SL9644 / 3344	0	50 lbs. (22.68 kg.)	0	50 lbs. (22.68 kg.)
9548 / SL9648 / 3348	0	50 lbs. (22.68 kg.)	0	50 lbs. (22.68 kg.)
9552 / SL9852* / 3452	0	50 lbs. (22.68 kg.)	0	50 lbs. (22.68 kg.)
9561 / SL9861* / 3461	50 lbs. (22.68 kg.)	50 lbs. (22.68 kg.)	0	50 lbs. (22.68 kg.)
9772 / 3472	Not recommended		100 lbs. (45.36 kg.)	150 lbs. (68.04 kg.)
9772 / 3472 w/ Hyd. Deck Lift	Includes Max Trax and 50# counterweight. Requires an additional 100# for a total of 150# counterweight with 72" deck.			
AERA-vator 40"	50 lbs. (22.68 kg.)	N/A	50 lbs. (22.68 kg.)	N/A
AERA-vator 60"	N/A	N/A	100 lbs. (45.36 kg.)	N/A
Brooms: Bidirectional 48"	50 lbs. (22.68 kg.)	N/A	50 lbs. (22.68 kg.)	150 lbs. (68.04 kg.)
Bidirectional 60"	N/A	N/A	100 lbs. (45.36 kg.)	150 lbs. (68.04 kg.)
Fixed Angle 48"	0	N/A	0	100 lbs. (45.36 kg.)
Fixed Angle 60"	50 lbs. (22.68 kg.)	N/A	50 lbs. (22.68 kg.)	150 lbs. (68.04 kg.)
Hyd. Dozer 48"	0	N/A	0	100 lbs. (45.36 kg.)
Hyd. Dozer 60"	50 lbs. (22.68 kg.)	N/A	50 lbs. (22.68 kg.)	150 lbs. (68.04 kg.)
Snowthrowers 48"	50 lbs. (22.68 kg.)	N/A	50 lbs. (22.68 kg.)	150 lbs. (68.04 kg.)
Snowthrowers 60"	N/A	N/A	100 lbs. (45.36 kg.)	150 lbs. (68.04 kg.)

* Deck Tilt Assist Kit : Requires 50 lbs. of counterweight.
Single tail wheel with 100 lbs. or more counterweight is not recommended.

This chart applies to both the standard single tail wheel and the optional dual tail wheel.