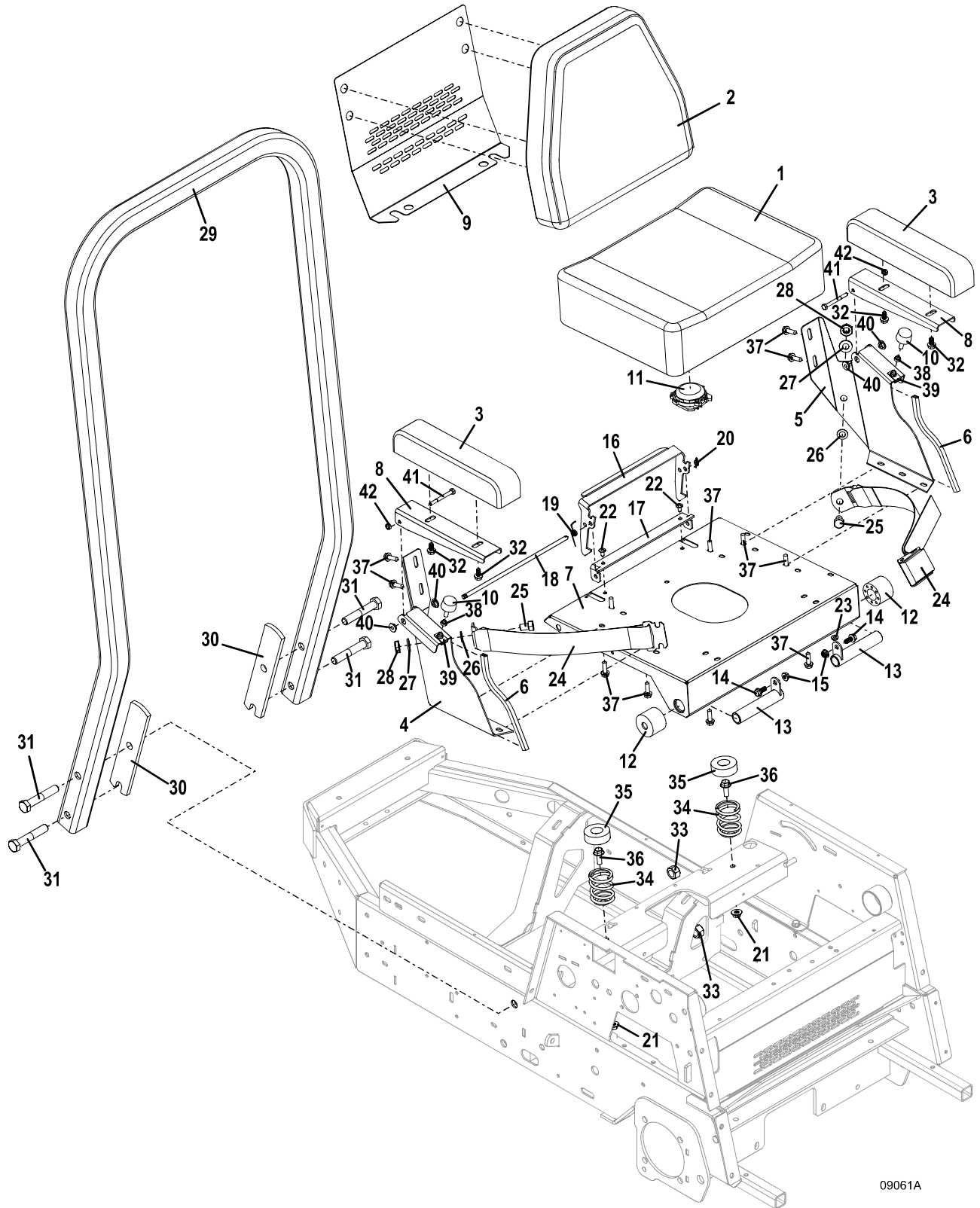


ROPS & SEAT ASSEMBLY

Item No.	Order No.	Description	Item No.	Order No.	Description
1	321529	Seat Cushion	23	253025	Whiz Nut .25-20
2	321530	Back Cushion	24	324200	Seat Belt – Non Retract
3	321523	Arm Rest	25	243551	Bolt .5-13 x .75
4	723435	Seat Side – Folding Arm Rest Rt.	26	257063	Nylon Washer .5
5	723436	Seat Side – Folding Arm Rest Lt.	27	257062	Washer .5 SAE
6	822630	Trim – Seat Edge	28	253470	Nut .5-13 Nylon Insert
7	644816	Seat Bottom	29	324103	ROPS Tube
8	754288	Arm Rest – Folding	30	901645	Spacer - ROPS
9	722884	Seat Reinforcement – Raised Backrest	31	243840	Bolt .625-11 x 3.5
10	424056	Bumper	32	253191	Whiz Bolt .312-18 x.625
11	183871	Seat Switch - Twist	33	253970	Lock Nut .625-11
12	424095	Seat Isolator	34	283516	Spring – Compression
13	644618	Seat Hinge Pin	35	422127	Cap – Seat Spring
14	253192	Whiz Bolt .312-18 x .75	36	253203	Whiz Bolt .375-16 x 1
15	253035	Whiz Nut .312-18	37	253193	Whiz Bolt .312-18 x 1
16	754240	Seat Handle – Dual Latch	38	833542	Cap – Bumper Nut
17	754226	Reinforcement - Seat Handle	39	830325	Speed Nut .312-18
18	730230	Pivot Pin - Seat	40	422508	Step Bushing
19	284408	Torsion Spring	41	243050	Bolt .25-20 x 2.5
20	260606	Ring Cotter .047 x .312	42	253440	Nut .25-20 Nylon Insert
21	253043	Whiz Nut .375-16			
22	253176	Whiz Bolt .25-20 x .5			

ROPS & SEAT ASSEMBLY



09061A