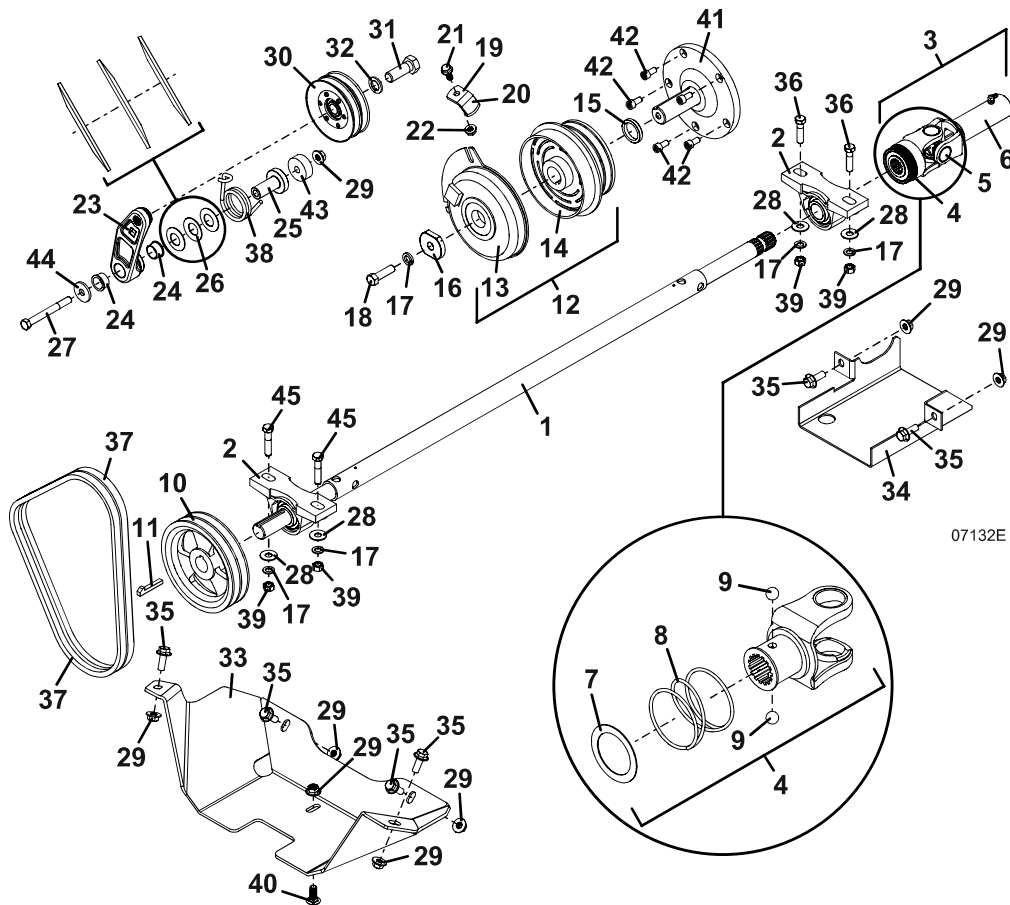


# PTO SHAFT & CLUTCH ASSEMBLY



07132E

Item No.	Order No.	Description	Item No.	Order No.	Description
1	644727	Power Shaft	23	824467	Idler Arm (includes items 24 - 26)
2	122044	Pillowblock Bearing	24	121756	Flange Bearing - Oilite
3	398914	Universal Half Sleeve - QD (includes items 4 - 6)	25	121651	Bearing Pedestal
4	401019	Splined Yoke - Quick Disconnect (includes items 7-9)	26	257319	Spring Washer
5	121010	Cross & Bearing	27	243375	Bolt .375-16 x 3.5
6	401017	Yoke with Sleeve	28	257040	Washer .375
7	263660	External Retainer	29	253043	Whiz Nut .375-16
8	283525	Compression Spring	30	415610	Idler Pulley
9	300014	Steel Ball	31	243805	Bolt .625-11 x 1.75
10	415650	Sheave	32	257452	Lock Washer .625
11	281588	Gib Key .25 x 1.5	33	644424	Sheave Guard
12	388771	Electric Clutch	34	729287	Shield - PTO Shaft
13	388875	Field Assembly w/Brake	35	253203	Whiz Bolt .375-16 x 1
14	388866	Armature & Rotor Assembly	36	243340	Bolt .375-16 x 1.5
15	902583	Spacer - 1.125 x .225	37	381914	Belt
16	257039	Washer 1.75 x 1.5 Double D	38	284428	Torsion Spring
17	257412	Lock Washer .375	39	254450	Nut .375-16
18	243337	Bolt .375-24 x 1.25 Grade 8	40	247253	Carriage Bolt .375 x 1
19	732407	Anti-Rotation Bracket	41	824415	Shaft - Clutch Stub 1.125
20	422087	Clutch Bracket Cover	42	270075	Socket Head Screw M8-1.25 x 16
21	253192	Whiz Bolt .312-18 x .75	43	902315	Spacer - Idler Arm
22	253035	Whiz Nut .312-18	44	774020	Washer .406
			45	243343	Bolt .375-16 x 1.75

04-07132E